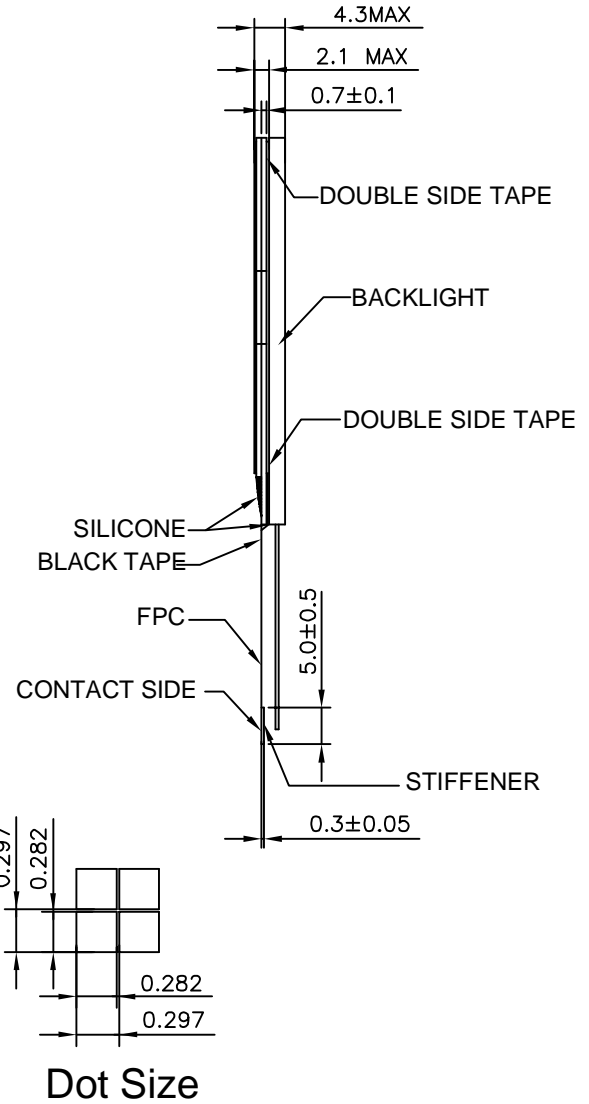
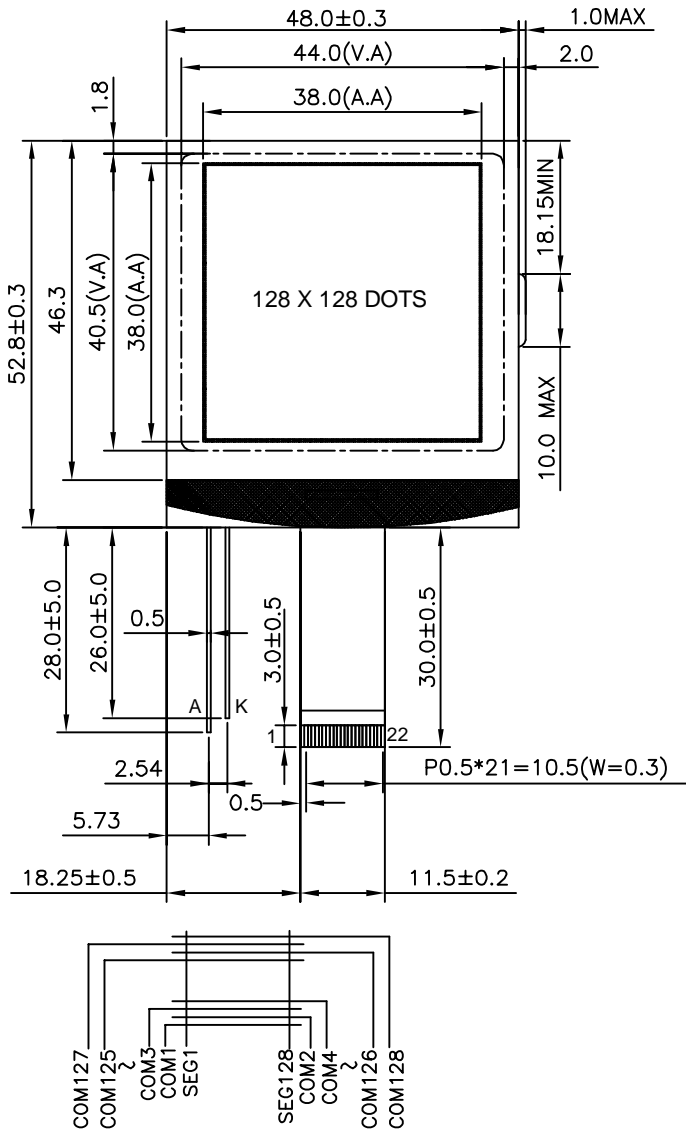


PG-121207 Series

OUTLINE DIMENSION



MECHANICAL DIMENSION	
Overall Dimension (mm)	48.0 X 52.8 X 4.3
Viewing Area (mm)	44.0X 40.5
Format	128 SEG × 128 COM
Dot Size (mm)	0.282 X 0.282
Dot Pitch (mm)	0.297 X 0.297

ELECTRICAL CHARACTERISTICS (VDD=5.0V ; Top=25° C)					
Parameter	Symbol	MIN	Typical	MAX	Unit
Power Supply Voltage	Vdd-Vss		3.3		V
LCD Operating Voltage	Vop		12.0		V
LCM Current Consumption	Idd				mA
Backlight Current Consumption	LED (Edge)				mA
	LED (Array)				mA
Driving Method	1/128 Duty 1/11 Bias				

NOTES

IC Controller / Driver: UC1617(or Compatible)
LCD : FSTN, Y/G STN, Negative FSTN, Negative FFSTN
Backlight : White LED, YELLOW-GREEN LED
Viewing Angle: 6:00, 12:00
Operating Temperature : -20° C~+70° C
Storage Temperature : -30° C~+80° C

ABSOLUTE MAXIMUM RATINGS				
Parameter	Symbol	MIN	MAX	Unit
Supply Voltage for Logic	Vdd-Vss	-0.3	3.3	V
Supply Voltage for LCD	Vlcd	6.0	15.0	V
Input Voltage	Vin			V

PIN ASSIGNMENT			
Pin No.	Symbol	Pin No.	Symbol
1	VLCD	12	CD
2	VBO+	13	CS0
3	VB1+	14	RESET
4	PS1	15	D7
5	PS0	16	D6
6	VB1-	17	D5
7	VB0-	18	D4
8	VDD	19	D3
9	VSS	20	D2
10	WR1	21	D1
11	WR0	22	D0