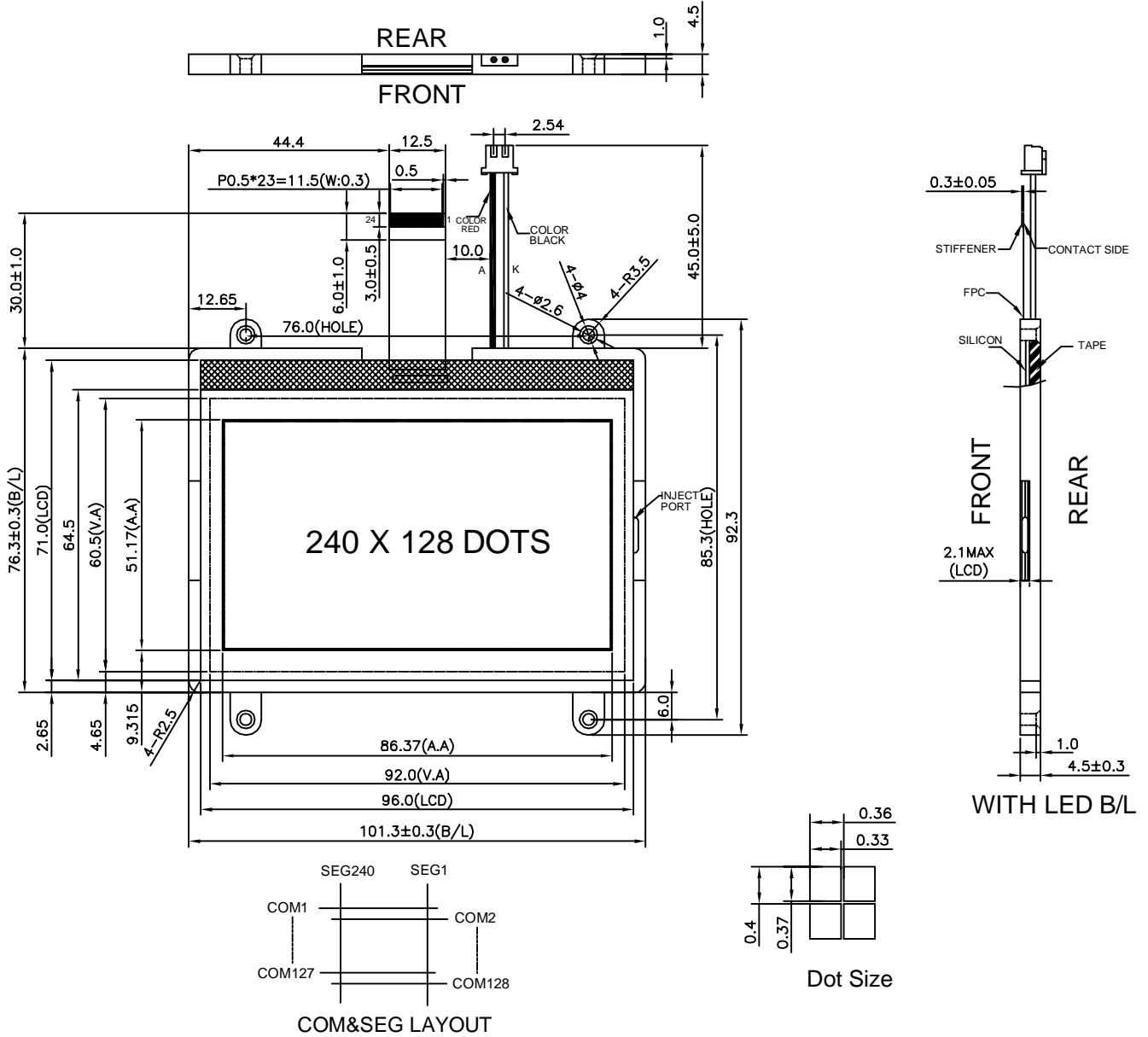


PG-241208 Series

OUTLINE DIMENSION



MECHANICAL DIMENSION	
Overall Dimension (mm)	101.3X 92.3 X 4.5
Viewing Area (mm)	92.0 X 60.5
Format	240 SEG × 128 COM
Dot Size (mm)	0.33 X 0.37
Dot Pitch (mm)	0.36 X 0.40

ELECTRICAL CHARACTERISTICS (VDD=5.0V ; Top=25° C)					
Parameter	Symbol	MIN	Typical	MAX	Unit
Power Supply Voltage	Vdd-Vss		3.3		V
LCD Operating Voltage	Vop		14.5		V
LCM Current Consumption	Idd				mA
Backlight Current Consumption	LED (Edge)				mA
	LED (Array)				mA
Driving Method		1/128Duty 1/12 Bias			

NOTES

- IC Controller / Driver:** UC1608 (or Compatible)
LCD : FSTN,Y/G STN,Negative FSTN, Negative FFSTN
Backlight : White LED, YELLOW-GREEN LED
Viewing Angle: 6:00,12:00
Operating Temperature : -20° C~+70° C
Storage Temperature : -30° C~+80° C

ABSOLUTE MAXIMUM RATINGS				
Parameter	Symbol	MIN	MAX	Unit
Supply Voltage for Logic	Vdd-Vss	-0.3	+4.0	V
Supply Voltage for LCD	Vlcd	-0.3	+17.0	V
Input Voltage	Vin	- 0.4	VDD + 0.5	V

PIN ASSIGNMENT			
Pin No.	Symbol	Pin No.	Symbol
1	NC	13	DB4
2	VB1-	14	DB3
3	VB1+	15	DB2
4	VB0-	16	DB1
5	VB0+	17	DB0
6	VLCD	18	RD(WR1)
7	VBAIS	19	WR
8	VSS	20	CD
9	VDD	21	RST
10	DB7	22	CS
11	DB6	23	BM0
12	DB5	24	BM1