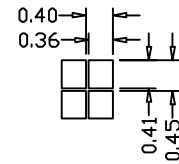
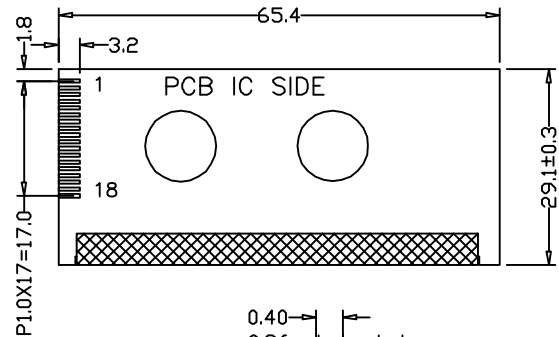
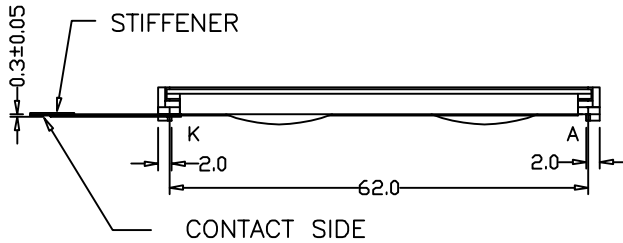
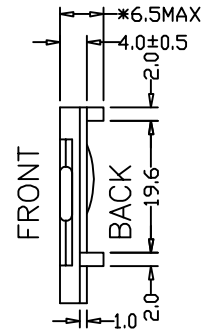
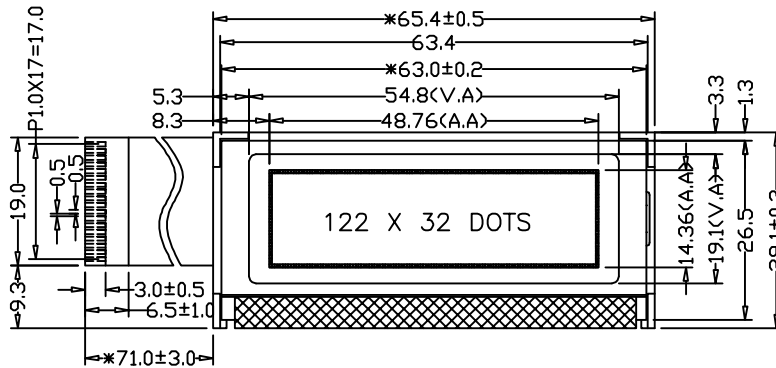


PG-120322 Series

OUTLINE DIMENSION



Dot Size

MECHANICAL DIMENSION

Overall Dimension (mm)	65.4 X 29.1 X 6.0/6.5
Viewing Area (mm)	54.8 X 19.1
Format	122 SEG × 32 COM
Dot Size (mm)	0.36 X 0.41
Dot Pitch (mm)	0.40 X 0.45

ABSOLUTE MAXIMUM RATINGS

Parameter	Symbol	MIN	MAX	Unit
Supply Voltage for Logic	V _{dd-Vss}	-0.3	+8.0	V
Supply Voltage for LCD	V _{lcd}	V _{dd} - 16.5	V _{dd} + 0.3	V
Input Voltage	V _{in}	V _{dd} - 0.3	V _{dd} + 0.3	V

ELECTRICAL CHARACTERISTICS (V_{DD}=5.0V ; T_{op}=25° C)

Parameter	Symbol	MIN	Typical	MAX	Unit
Power Supply Voltage	V _{dd-Vss}		5.0		V
LCD Operating Voltage	V _{op}		4.5		V
LCM Current Consumption	I _{dd}				mA
Backlight Current Consumption	LED (Edge)				mA
	LED (Array)				mA
Driving Method		1/32 Duty 1/5 Bias			

NOTES

IC Controller / Driver: PT6520 or Equivalent
LCD Options: Y/G STN, Gray STN
Backlight Options: Y/G LED, Amber LED
Viewing Angle: 6:00
Operating Temperature : -20° C - +70° C
Storage Temperature : -30° C - +80° C

PIN ASSIGNMENT

Pin No.	Symbol	Function
1	VDD	Power Supply (GND)
2	VSS	Power Supply (+)
3	V0	Contrast Adjust
4	RST	
5	E1	Enable Signal 1
6	E2	Enable Signal 2
7	R/W	Data Read / write
8	A0	Register select signal
9	DB0	Data Bus Line
10	DB1	Data Bus Line
11	DB2	Data Bus Line
12	DB3	Data Bus Line
13	DB4	Data Bus Line
14	DB5	Data Bus Line
15	DB6	Data Bus Line
16	DB7	Data Bus Line
17	LEDK	Power Supply for LED B/L (-)
18	LEDA	Power Supply for LED B/L (+)