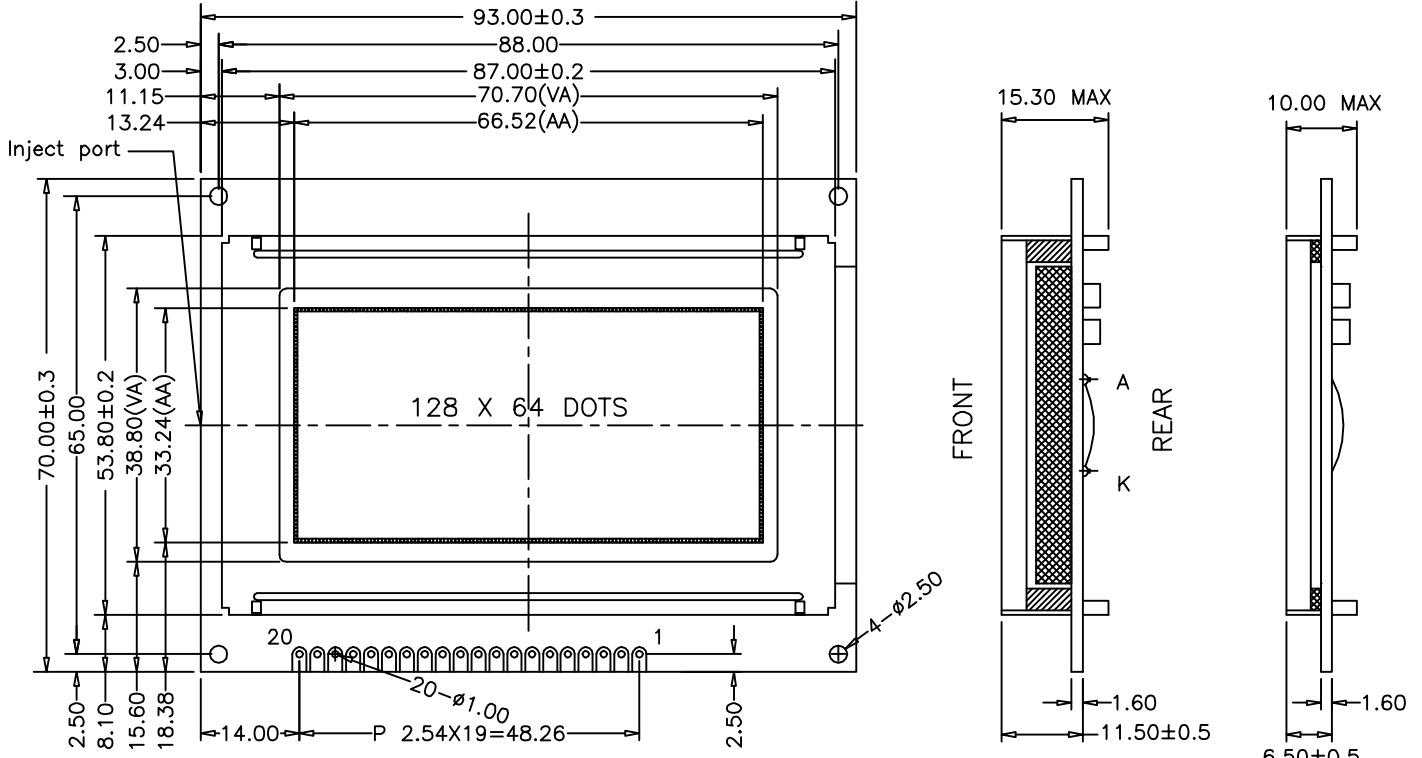


# PG-120628 Series

## OUTLINE DIMENSION



### MECHANICAL DIMENSION

Overall Dimension (mm)	93 X 70 X 10/15.3
Viewing Area (mm)	70.70 X 38.80
Format	128 SEG × 64 COM
Dot Size (mm)	0.48 X 0.48
Dot Pitch (mm)	0.52 X 0.52

### ABSOLUTE MAXIMUM RATINGS

Parameter	Symbol	MIN	MAX	Unit
Supply Voltage for Logic	Vdd-Vss	- 0.3	+ 7.0	V
Supply Voltage for LCD	Vlcd		+ 13.0	V
Input Voltage	Vin	- 0.3	Vdd + 0.3	V

### ELECTRICAL CHARACTERISTICS (VDD=5.0V ; Top=25° C)

Parameter	Symbol	MIN	Typical	MAX	Unit
Power Supply Voltage	Vdd-Vss		5.0		V
LCD Operating Voltage	Vop		8.0		V
LCM Current Consumption	Idd				mA
Backlight Current Consumption	LED (Edge)				mA
	LED (Array)				mA
Driving Method		1/64 Duty 1/6 Bias			

### NOTES

IC Controller / Driver:  
LCD Options:

SBN0064G/SBN6400G  
Y/G STN, Gray STN, FSTN,  
Blue STN, Negative FSTN

Backlight Options:

None, Y/G LED, Amber LED,  
Blue LED, White LED

Viewing Angle Options:  
Operating Temperature :  
Storage Temperature :

6:00, 12:00  
-20° C - +70° C  
-30° C - +80° C

### PIN ASSIGNMENT

Pin No.	Symbol	Function
1	VSS	Power Supply (GND)
2	VDD	Power Supply (+)
3	V0	Contrast Adjust
4	D/I	
5	R/W	Data Read / write
6	E	Enable Signal
7	DB0	Data Bus Line
8	DB1	Data Bus Line
9	DB2	Data Bus Line
10	DB3	Data Bus Line
11	DB4	Data Bus Line
12	DB5	Data Bus Line
13	DB6	Data Bus Line
14	DB7	Data Bus Line
15	/CS1	
16	/CS2	
17	RES	
18	VEE	
19	LEDA	Power Supply for LED B/L (-)
20	LEDK	Power Supply for LED B/L (+)