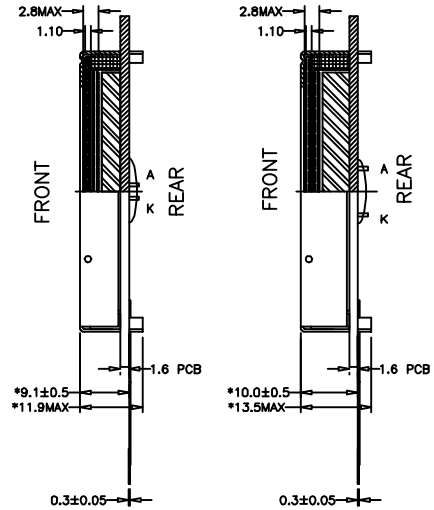
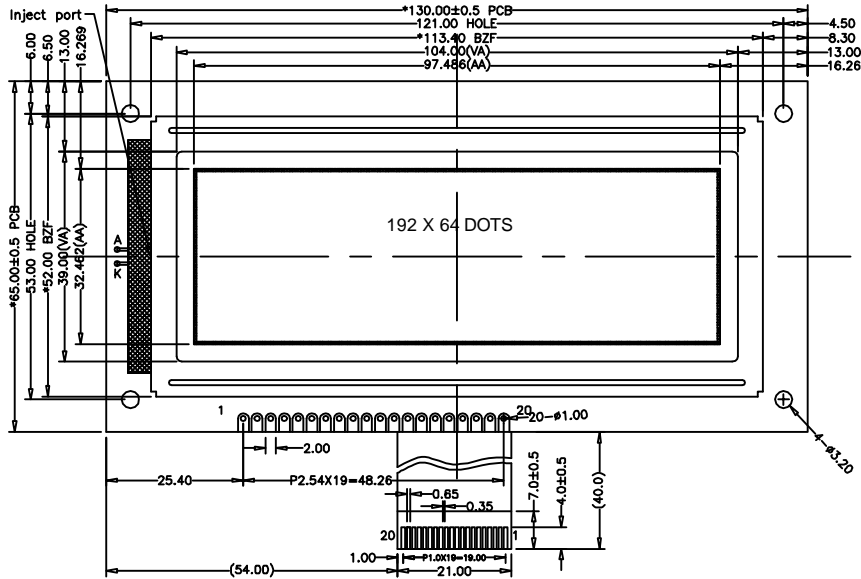


PG-190607 Series

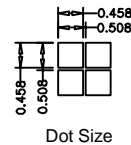
OUTLINE DIMENSION



WITH LED B/L

MECHANICAL DIMENSION

Overall Dimension (mm)	130.0 X 65.0 X 11.9/13.5
Viewing Area (mm)	104.0 X 39.0
Format	192 SEG × 64 COM
Dot Size (mm)	0.458 X 0.458
Dot Pitch (mm)	0.508 X 0.508



Dot Size

ABSOLUTE MAXIMUM RATINGS

Parameter	Symbol	MIN	MAX	Unit
Supply Voltage for Logic	V _{dd-Vss}	-0.3	+7.0	V
Supply Voltage for LCD	V _{lcd}		+13.0	V
Input Voltage	V _{in}	-0.3	V _{dd} + 0.3	V

ELECTRICAL CHARACTERISTICS (VDD=5.0V ; Top=25° C)

Parameter	Symbol	MIN	Typical	MAX	Unit
Power Supply Voltage	V _{dd-Vss}		5.0		V
LCD Operating Voltage	V _{op}		9.0		V
LCM Current Consumption	I _{dd}				mA
Backlight Current Consumption	LED (Edge)				mA
	LED (Array)				mA
Driving Method		1/64 Duty 1/9 Bias			

NOTES

IC Controller / Driver: SBN0064G, SBN6400G
LCD Options: Y/G STN, FSTN, Blue STN
Backlight Options: Y/G LED, Blue LED, White LED
Viewing Angle: 6:00
Operating Temperature Options: -10° C ~ +60° C / -20° C ~ +70° C
Storage Temperature Options: -20° C ~ +70° C / -30° C ~ +80° C

PIN ASSIGNMENT

Pin No.	Symbol	Function
1	LED+	Power Supply for LED B/L (+)
2	VEE	
3	CS3	
4	CS2	
5	REST	
6	CS1	
7	DB7	Data Bus Line
8	DB6	Data Bus Line
9	DB5	Data Bus Line
10	DB4	Data Bus Line
11	DB3	Data Bus Line
12	DB2	Data Bus Line
13	DB1	Data Bus Line
14	DB0	Data Bus Line
15	E	Enable Signal
16	R/W	Data Read / Write
17	RS	
18	VO	Contrast Adjust
19	VDD	Power Supply (+)
20	VSS	Power Supply (GND)