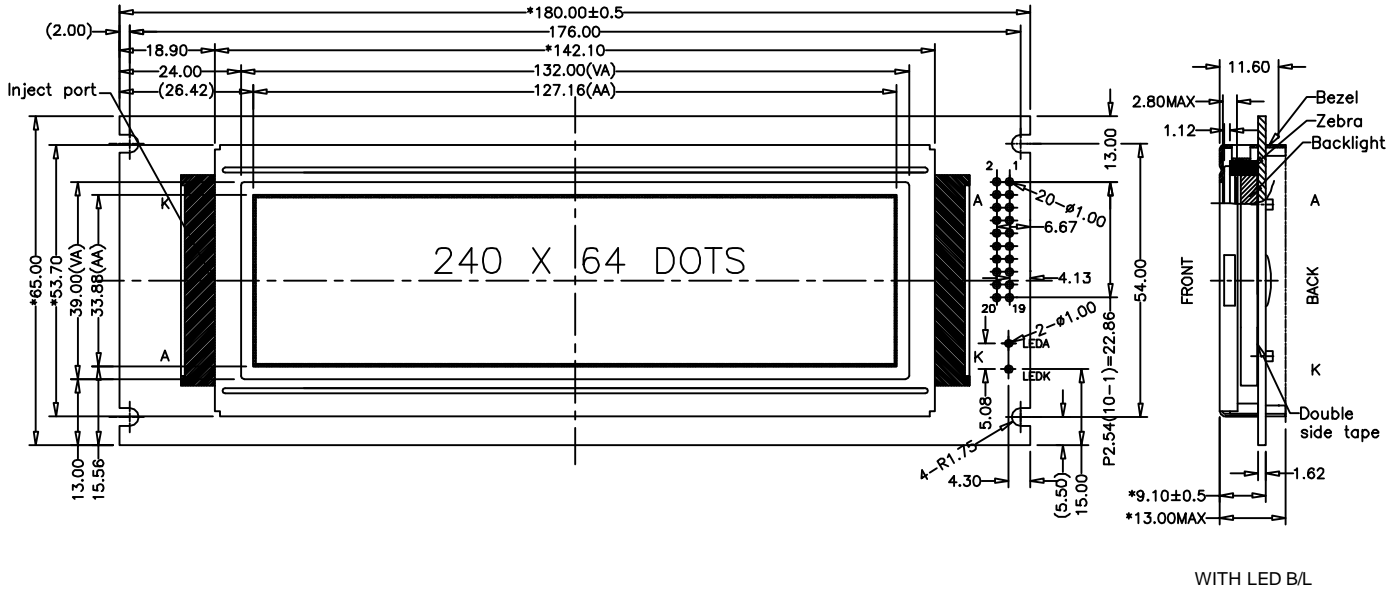
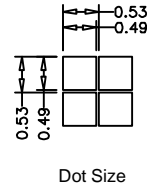


PG-240605 Series

OUTLINE DIMENSION



MECHANICAL DIMENSION	
Overall Dimension (mm)	180.0 X 65.0 X 13.0
Viewing Area (mm)	132.0 X 39.0
Format	240 SEG × 64 COM
Dot Size (mm)	0.49 X 0.49
Dot Pitch (mm)	0.53 X 0.53



ABSOLUTE MAXIMUM RATINGS				
Parameter	Symbol	MIN	MAX	Unit
Supply Voltage for Logic	Vdd-Vss	-0.3	+7.0	V
Supply Voltage for LCD	Vlcd			V
Input Voltage	Vin	-0.3	Vdd + 0.3	V

ELECTRICAL CHARACTERISTICS (VDD=5.0V ; Top=25° C)					
Parameter	Symbol	MIN	Typical	MAX	Unit
Power Supply Voltage	Vdd-Vss		5.0		V
LCD Operating Voltage	Vop		12.0		V
LCM Current Consumption	Idd				mA
Backlight Current Consumption	LED (Edge)				mA
	LED (Array)				mA
Driving Method	1/64 Duty 1/9 Bias				

NOTES

IC Controller / Driver:

SAP1024B,T6963,SDN8080

LCD Options:

Y/G STN,Blue STN,Gray STN
FSTN,Negative FSTN

Backlight Options:

Y/G LED, Amber LED, White LED

Viewing Angle Options:

6:00,12:00

Operating Temperature Options:

-20° C~+70° C

Storage Temperature Options:

-30° C~+80° C

PIN ASSIGNMENT		
Pin No.	Symbol	Function
1	FG	
2	VSS	Power Supply (GND)
3	VDD	Power Supply (+)
4	VO	Contrast Adjust
5	/WR	Data Read / write
6	/RD	Enable Signal
7	/CE	
8	C/D	
9	NC	
10	/RESET	
11	DB0	Data Bus Line
12	DB1	Data Bus Line
13	DB2	Data Bus Line
14	DB3	Data Bus Line
15	DB4	Data Bus Line
16	DB5	Data Bus Line
17	DB6	Data Bus Line
18	DB7	Data Bus Line
19	LEDK	Power Supply for LED B/L (-)
20	LEDA	Power Supply for LED B/L (+)