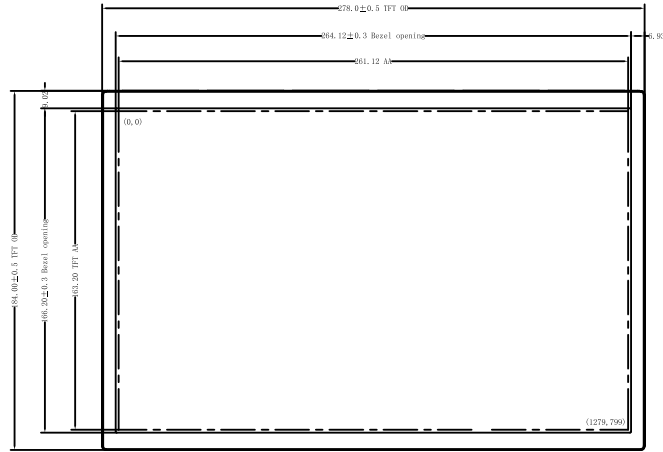
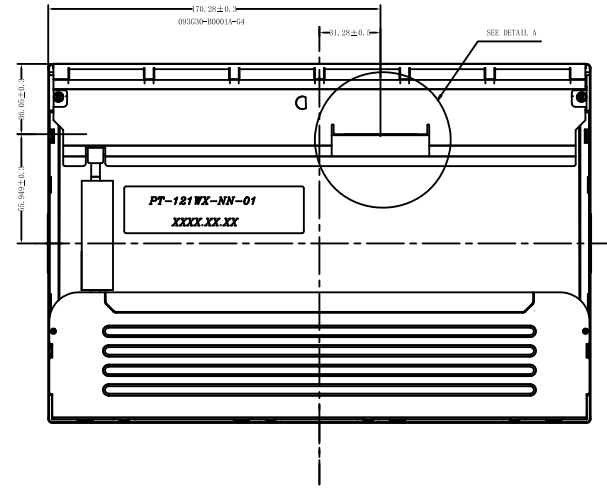
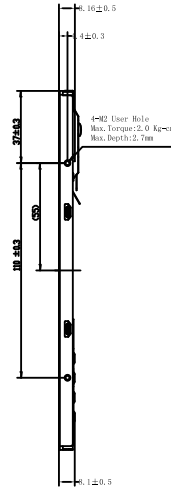


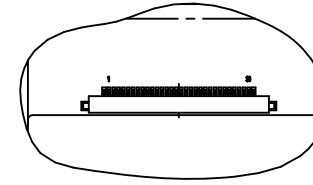
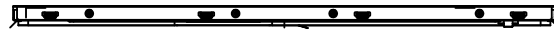
TFT PIN TABLE



TOP VIEW



BOTTOM VIEW



DETAIL A

PIN NO	SIGNAL
1	12V
2	12V
3	12V
4	12V
5	ENLED
6	Dimming
7	GND
8	GND
9	VCC
10	VCC
11	GND
12	GND
13	RX0-
14	RX0+
15	GND
16	RX1-
17	RX1+
18	GND
19	RX2-
20	RX2+
21	GND
22	RXCLK-
23	RXCLK+
24	GND
25	RX3-
26	RX3+
27	GND
28	SEL6/8
29	GND
30	GND

NOTE:

Connector Part No. :Starconn 093G30-B0001A-G4

<i>Color:</i>	<b>16.2M</b>	<i>Operating voltage</i>	<b>VDD=3.3V</b>
<i>Interface:</i>	<b>LVDS</b>	<i>Operating Temp</i>	<b>-10°C TO 70°C</b>
<i>Display type:</i>	<b>Transmissive</b>	<i>Storage Temp</i>	<b>-20°C TO 80°C</b>
<i>Viewing Direction:</i>	<b>ALL</b>	<i>Resolution</i>	<b>1280X800RGB</b>
<i>Drive IC</i>		<i>Luminance uniformity</i>	<b>400cd/m<sup>2</sup> (TYP)</b>

REVISION

REV	ECO NO	DESCRIPTION	DWN	DATE	CHKD	DATE	APVD	DATE	APVD	DATE
A		Initial				Nov./16/2015				

DRAWN BY Zhixing, Xu  
 DATE: Nov./16/2015  
 CHECKED BY  
 DATE:  
 APPROVED BY  
 DATE:  
 APPROVED BY  
 DATE:

UNLESS OTHERWISE SPECIFIED:  
 1) ALL DIMENSIONS ARE IN MM.  
 2) TOLERANCE  
 .XXX ±.127  
 .XX ±.254  
 ANGLES ±0.5°  
 THIRD ANGLE PROJECTION  
 DRAWING SIZE: C  
 DRAWING SCALE: NONE  
 DO NOT SCALE DRAWING

**POLYTRONIX, INC.** 805 ALPHA DRIVE RICHARDSON, TX 75081 972.238.7045  
 CUSTOMER ID NUMBER: SHEET 1 OF 1  
 TITLE:  
 CAGE CODE NO. 2Y126 POLYTRONIX PART NUMBER: PT-121WX-NN-01 REV: A