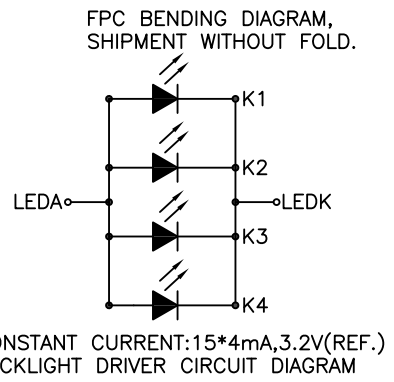


PIN DEFINE	
PIN No.	SYMBOL
1	LEDA
2	LEDK
3	VDD
4	IM2
5	IM1
6	IMO
7	RESET
8	CS
9	DC/SCL
10	WR/DC
11	RD
12	VSYN
13	HSYN
14	ENABLE
15	DOTCLK
16	SDA
17	DB0
18	DB1
19	DB2
20	DB3
21	DB4
22	DB5
23	DB6
24	DB7
25	DB8
26	DB9
27	DB10
28	DB11
29	DB12
30	DB13
31	DB14
32	DB15
33	DB16
34	DB17
35	XR/NC
36	YD/NC
37	XL/NC
38	YU/NC
39	GND



ITEM	PARAMETERS	ITEM	PARAMETERS	RoHS COMPLIANT	YES
LCD SIZE	2.8 inch(DIAGONAL)	VIEWING DIRECTION(EYE)	6 O'CLOCK		
LCD TYPE	TN/NORMALLY WHITE	OPERATING TEMPERATURE	-20°C TO +70°C		
RESOLUTION(H*V)	240*320 PIXELS	STORAGE TEMPERATURE	-30°C TO +80°C		
POLARIZER TYPE	TRANSMISSIVE(ANTI-GLARE)	IC	ILI9341V OR COMPATIBLE		
POWER SUPPLY INPUT VOLTAGE	2.8V(VDD)	BACKLIGHT	EDGE,WHITE		
I/O LOGIC VOLTAGE	XXXX	CONNECTOR	SODLER		

MARK "*" ARE IMPORTANT DIMENSIONS, MARK "(" ARE REFERENCE DIMENSIONS, MARK "*" ARE SPECIAL CHARACTERISTICS RELATED TO SAFETY, MARK "☒" ARE SPECIAL CHARACTERISTICS IRRELEVANT TO SAFETY, MARK "●" ARE IMPORTANT CHARACTERISTICS EXCEPT FOR THE SPECIAL CHARACTERISTICS.

REVISION										DRAWN BY		UNLESS OTHERWISE SPECIFIED:		POLYTRONIX, INC.	
REV	ECO NO	DESCRIPTION	DWN	DATE	CHKD	DATE	APVD	DATE	APVD	DATE	ZHIXING XU	1) ALL DIMENSIONS ARE IN MM.		805 ALPHA DRIVE	
A		Initial		Sept./22/2015							DATE: Sept./22/2015	2) TOLERANCE		RICHARDSON, TX 75081	
											CHECKED BY:	.XXX ±.127	CUSTOMER ID NUMBER:		SHEET 1 OF 1
											DATE:	.XX ±.254	TITLE:		
											APPROVED BY:	ANGLES ±0.5°	THIRD ANGLE PROJECTION		
											DATE:		DRAWING SIZE: C		
											APPROVED BY:		DRAWING SCALE: NONE		
											DATE:		DO NOT SCALE DRAWING		
													CAGE CODE NO. 2Y126		
													POLYTRONIX PART NUMBER: PT-28QV-NN-01		
													REV.: A		